

Electric Conductors

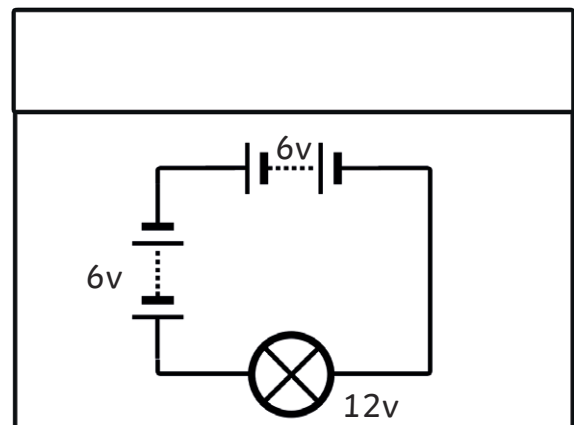
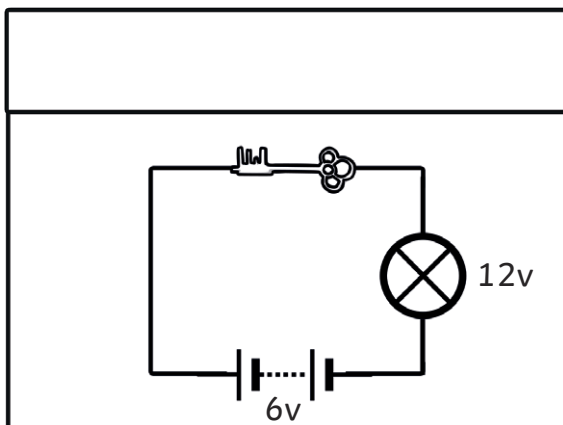
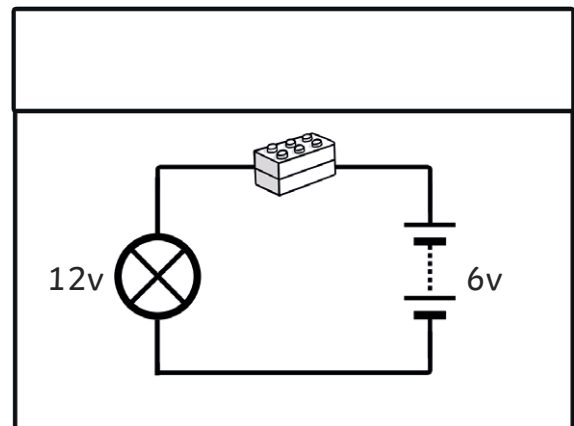
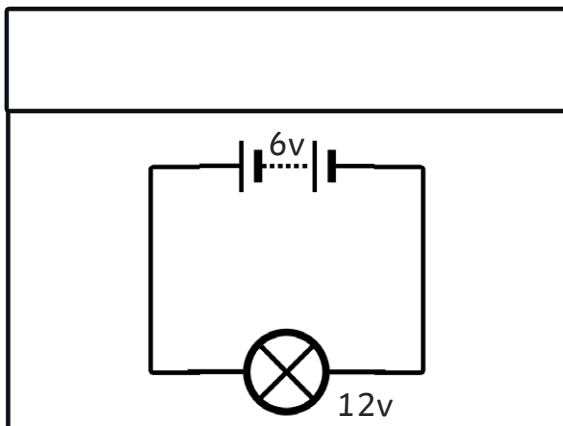
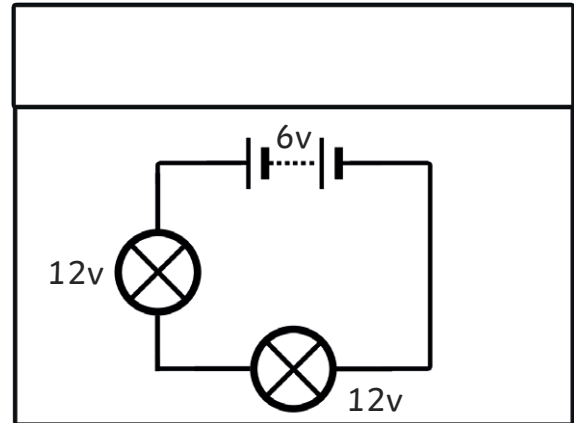
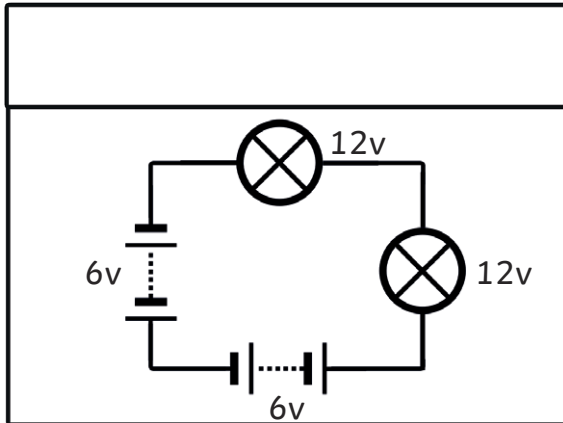
Write in the space above each circuit whether the bulb or bulbs would be:

a) off

b) glowing dimly

c) glowing normally

d) glowing brightly



Electric Conductors Answers

Write in the space above each circuit whether the bulb or bulbs would be:

a) off

b) glowing dimly

c) glowing normally

d) glowing brightly

